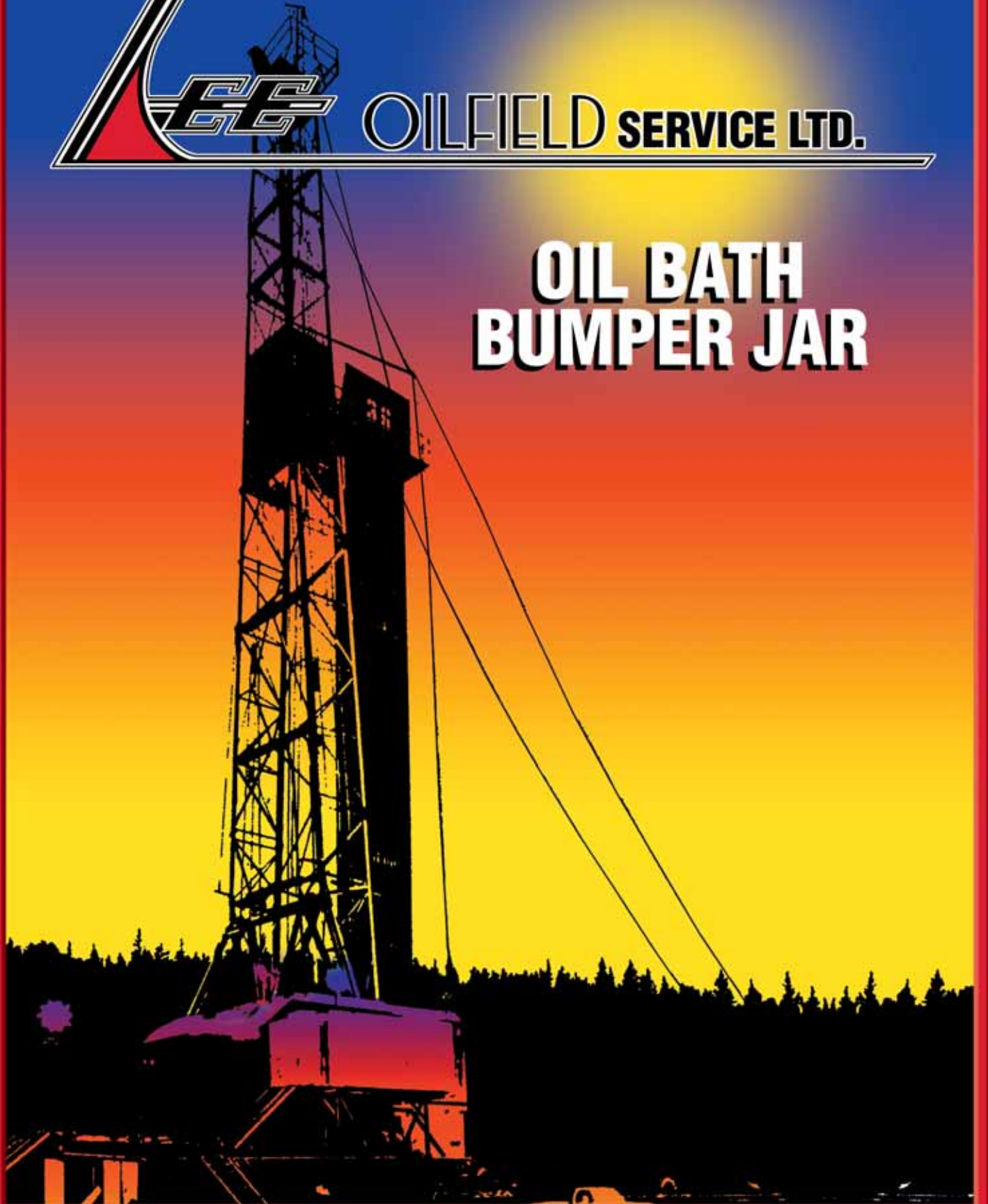


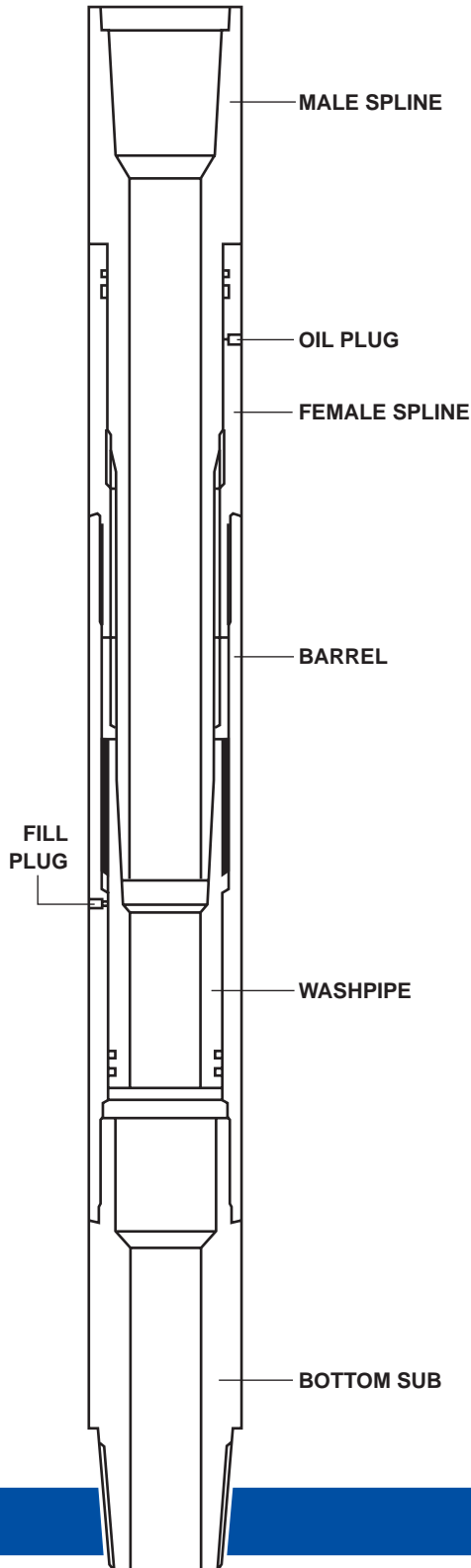


# **OIL BATH BUMPER JAR**





# OILFIELD SERVICE LTD.



The **LEE OILFIELD OIL BATH FISHING BUMPER JAR** is ruggedly engineered to be used in all situations where bumping downwards or upwards may be required. The tool is designed to permit 10" to 20" free stroke. All internal mechanisms are lubricated. Specially designed rugged splines provide a source of continuous torque transmission. The splines are fully engaged at all times. The knocker connection is designed with a special thread which does not require to be thread locked during servicing to prevent thread backing off downhole. Clearances in all sealing areas are kept to a minimum to allow the pumping of drilling fluids for long periods of time without failure due to washouts. The 20" stroke is very effective because of the small amount of fluid displacement during the downward stroke of the bumper jar.

## USAGE

To activate the **LEE OILFIELD OIL BATH BUMPER JAR**, pull upwards the stroke of the tool, then release the brake and let the working string free fall, quickly stopping with the brake at the point of impact. This will cause a tremendous downward impact on the bumper jar.

PLEASE NOTE THAT ILLUSTRATIONS ARE NOT TO SCALE

# OIL BATH BUMPER JAR

*Our Service is your Guarantee...*

SIZE		TYPICAL THREAD CONNECTION	TENSILE YIELD FULLY OPEN	STROKE	BODY JOINT TORQUE
O. D.	I. D.				
2-1/4" 57.1 mm	3/4" 19.0 mm	2" LDC	86,000 lbs 38,000 daN	10"	700 ft lbs 950 Nm
3-1/8" 79.5 mm	1" 25.4 mm	2-3/8" REG	210,000 lbs 93,000 daN	20"	1,800 ft lbs 2,400 Nm
3-3/4" 95.2 mm	1-1/4" 31.7 mm	2-7/8" REG	320,000 lbs 142,000 daN	20"	3,000 ft lbs 4,000 Nm
3-3/4" 95.2 mm	1-1/2" 38.0 mm	2-3/8" IF	300,000 lbs 133,400 daN	20"	3,000 ft lbs 4,000 Nm
3-3/4" 95.2 mm	1-7/8" 47.6 mm	2-3/8" EUE	220,000 lbs 97,600 daN	20"	3,000 ft lbs 4,000 Nm
4-1/2 " 114.3 mm	2-3/8" 60.3 mm	2-7/8" EUE	400,000 lbs 177,600 daN	20"	4,000 ft lbs 5,400 Nm
4-3/4" 120.6 mm	2" 50.8 mm	3-1/2" IF	505,000 lbs 224,000 daN	20"	7,000 ft lbs 9,520 Nm
4-3/4 in 120.6 mm	2-1/4" 57.1 mm	3-1/2" IF	470,000 lbs 209,000 daN	20"	7,000 ft lbs 9,520 Nm
6-1/4 in 159.0 mm	2-1/4" 57.1 mm	4-1/2" IF 4-1/2" H90	600,000 lbs 266,900 daN	20"	15,000 ft lbs 20,400 Nm
6-1/2" 165.0 mm	2-1/4" 57.1 mm	4-1/2" IF 4-1/2" H90	600,000 lbs 266,900 daN	20"	17,500 ft lbs 23,700 Nm
6-3/4" 171.4 mm	2-1/2" 63.5 mm	5" H90 4-1/2" IF	730,000 lbs 324,743 daN	20"	20,000 ft lbs 27,200 Nm
7-3/4" 197.0 mm	2-1/2" 63.5 mm	6-5/8" REG	1,300,000 lbs 578,000 daN	20"	38,000 ft lbs 51,500 Nm
8" 203.2 mm	2-3/4" 69.8 mm	6-5/8" REG	1,400,000 lbs 622,000 daN	20"	40,000 ft lbs 54,200 Nm
9 in 229.0 mm	2-3/4" 69.8 mm	7" H90	1,600,000 lbs 712,000 daN	20"	50,000 ft lbs 67,000 Nm



Manufacturers and Distributors of Hydraulic Jars, Fishing Bumper Jars and Compounders  
Fishing Equipment

*Our Service is your Guarantee...*

**MANUFACTURED** in Canada by Canadian craftsmen

- Machined to close tolerances -  $\pm 0.0005$  inches in critical areas
- Quality control - dimensional checks, hardness checks
- High quality material - heat treated 4340 steel stock material
- Design modifications to suit special operating conditions such as different operating temperatures or hole conditions
- The most rugged splines made, to enable application of maximum torque either open or closed

**SERVICED & TESTED** by qualified personnel

- Tested before dismantling
- All parts inspected after cleaning
- Parts in question are non-destructively tested with magnetic particle and/or ultrasonic techniques
- Worn or damaged parts replaced with new parts
- O-rings, seals, and hydraulic fluid replaced during every servicing
- H<sub>2</sub>S resistant tools available on request



4604 Eleniak Road, Edmonton, Alberta, Canada T6B 2S1

Phone: (780) 440 - 6705 • Fax: (780) 463 - 5570

Web: [www.leeoil.ca](http://www.leeoil.ca) • e-mail: [info@leeoil.ca](mailto:info@leeoil.ca)